



# EG Series

## Redefining Educational Interactive Flat Panels

Introducing the **EG Series** low parallax design giving you exceptional viewing and writing experience with collaboration in mind.

Enhanced with **industry leading** chipset solutions and 2nd generation **zero bonding** technology.



### PRODUCT SPECIFICATIONS

Feature's  
Software's  
Display  
Operating System  
Touch System  
Audio System  
Power

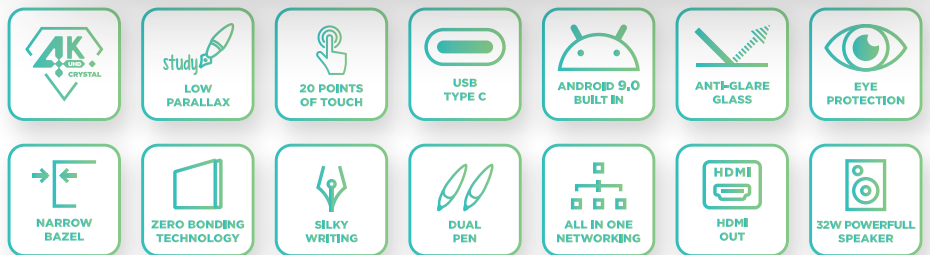
I/O Port  
Physical Specifications  
Accessories  
Environmental Conditions  
Disclaimer  
Technical Drawings

# EG Series

## PRODUCT SPECIFICATIONS



### FEATURE'S



### SOFTWARE'S



**Note:**

Smartest Whiteboard Application



**Capture:**

Enhanced Video Production Tool



**Connect:**

Remotely Screen Cast and Control the Panel



**Edu 2.0:**

All-In-One and Connected Educational Android OS



**ScreenShare-Pro:**

Content Collaboration with Different Devices



**Remote:**

Simplifies Campus Management



**Bytello Class:**

Cloud-Based Lesson Delivery Software

# EG Series

## PRODUCT SPECIFICATIONS



	65"	75"	86"
<b>DISPLAY</b>			
Size	65 inch	75 inch	86 inch
Panel Type	ADS		IPS
Response Time	8 ms		
Aspect Ratio	16 : 9		
Display Area (mm)	1428.48 (H) × 803.52	1649.664 × 927.936	1895.04 × 1065.96
Pixel Pitch (mm)	0.372 × 0.372	0.4296 × 0.4296	0.4935 × 0.4935
Resolution	3840 × 2160		
Refreshing Frequency	60 Hz		
Display Color	1.07 B (10bit)		
NTSC	72%		68 %
Contrast Ratio	1200 : 1		
Viewing Angle	178° (H/V)		
Back Light Unit	DLED		
Brightness with glass (min)	300 cd/m2		
Brightness with glass (typ)	350 cd/m2		
Life Time	≥30000 Hours		
<b>OPERATING SYSTEM</b>			
System Version	Android 9.0		
CPU	A73×4	G52MC2	A73×4
GPU	G52MC2		
RAM	4 GB		
ROM	32 GB		

	65"	75"	86"
<b>TOUCH SYSTEM</b>			
Sensing Type	Infrared recognition		
System	Windows10/Windows8/Windows7/Windows XP/ Linux/Mac/Android/Chrome		
Touch point	20 points touch		
Minimum object size	3 mm		
Response Time	≤10 ms		
Accuracy	±1 mm		
Writing Height	≤2 mm		
Interpolation Resolution	32768(W) × 32768(D)		
<b>AUDIO SYSTEM</b>			
Sound Channel	2.0		
Output Power	2 × 16 W		
<b>POWER</b>			
Power Requirements	100 - 240 V ~ 50 60 HZ 4.5 A	100 - 240 V ~ 50 60 HZ 5.5 A	100 - 240 V ~ 50 60 HZ 6.5 A
Overall Power (Typical)	195 W	235 W	370 W
Standby Power	≤0.5 W		
<b>I/O PORT</b>			
HDMI IN	3		
HDMI OUT	1		
USB 2.0	1		
USB 3.0	4		
TOUCH 3.0	2		
VGA IN	1		
AUDIO IN	1		
AUDIO OUT	1		
SPDIF	1		
RS232	1		
RS232	1		

# EG Series

## PRODUCT SPECIFICATIONS

	65"	75"	86"
<b>PHYSICAL SPECIFICATIONS</b>			
Dimension L × H × D (mm)	1489 × 897 × 86	1710 × 1020 × 86	1957 × 1160 × 86
Dimension (pack.) L × W × H (mm)	1656 × 204 × 1050	1860 × 280 × 1140	2146 × 280 × 1308
Thickness of machine and wall mount (mm)	116.4mm (WIB9060G)	115.7mm (WIB9060G)	116mm (WIB9060G)
Wall-hanging Screw Spec	M8 × 25 mm		
VESA (mm)	600 × 400	800 × 400	
Net Weight (kg)	38	49.5	64.6
Gross Weight (kg)	49	63.8	82.8
<b>ACCESSORIES</b>			
Power Cord	×1		
USB Touch Cable (Type A-B)	×1		
HDMI Cable	×1		
Writing Pen	×2		
Remote Control	×1		
Battery	×2		
<b>ENVIRONMENTAL CONDITIONS</b>			
Operation Temperature	0° - 40° 0° - 40°		
Operation Humidity	10% - 90% RH		
Storage Temperature	-20° -60°		
Storage Humidity	10% - 90% RH		
Altitude	Below 5000 meters		
<b>OPTIONAL MODULE</b>			
PC Module	MT43A/MT43V		
Wireless Module	SI07	SI07 / SI02	SI07
<b>DISCLAIMER</b>			

Size and weight vary by configuration and manufacturing process, please refer to the actual product.

The product images are for illustrative purposes only and may slightly differ in appearance, colour, size, etc. from the actual product.

The description, illustrations, etc. in this document may subject to change in accordance with the latest product specification and performance.

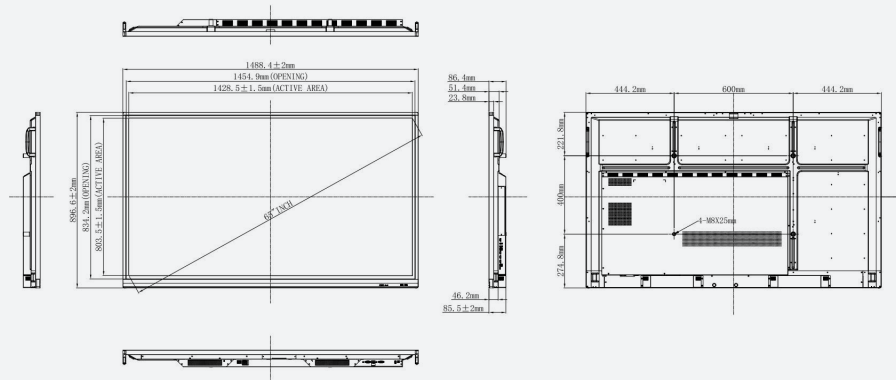
Should the above-mentioned change in the document become necessary, the document may be updated without written notice.

# EG Series

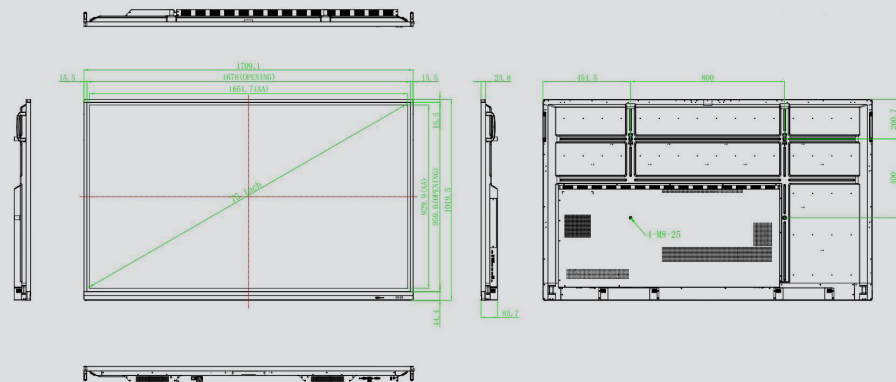
## PRODUCT SPECIFICATIONS

### TECHNICAL DRAWINGS

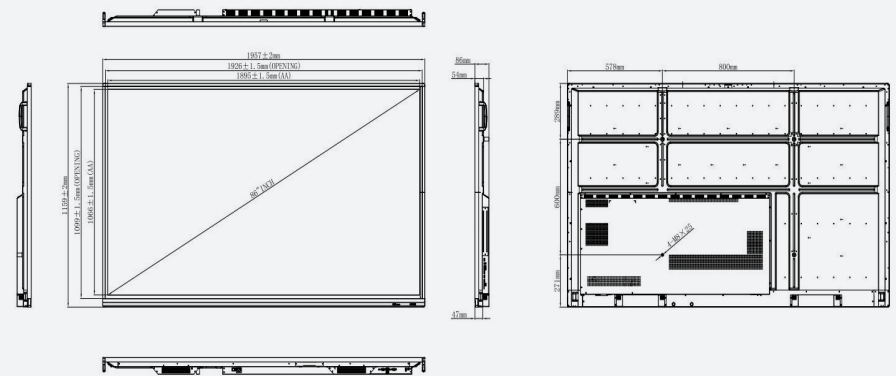
65"



75"



86"



visit our website  
for more

